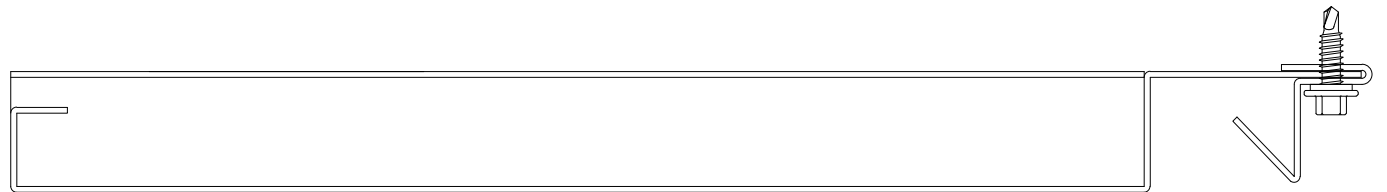
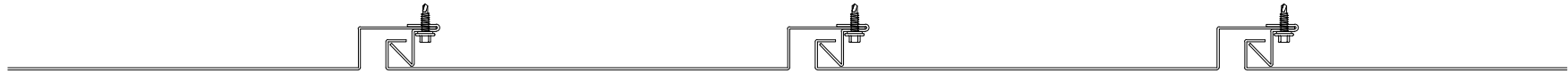


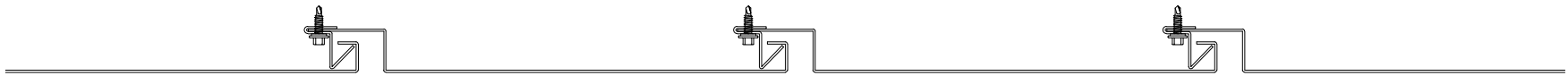
Height



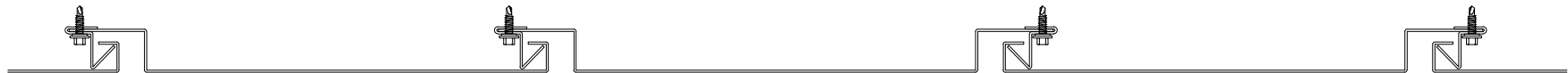
Width



PLAN DETAIL – TYPICAL LEFT TO RIGHT
PANEL INSTALLATION SEQUENCE



PLAN DETAIL – TYPICAL RIGHT TO LEFT
PANEL INSTALLATION SEQUENCE



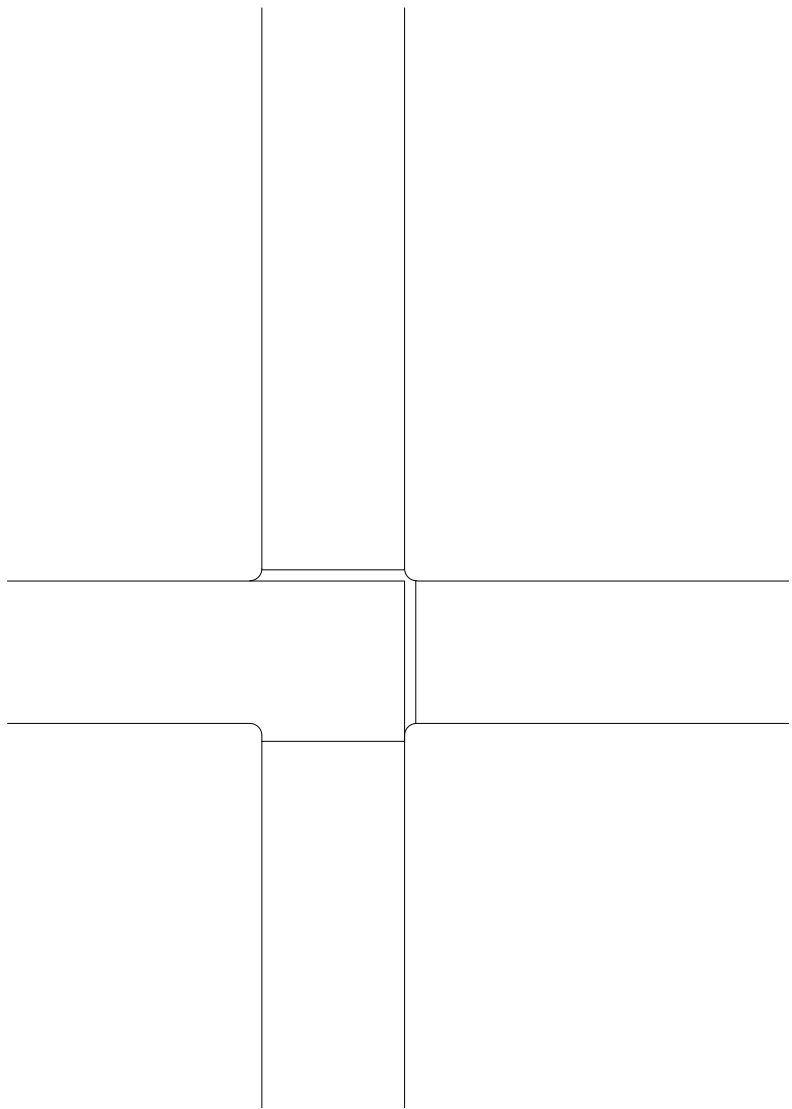
CENTER
START

PLAN DETAIL – CENTER PANEL FIRST
PANEL INSTALLATION SEQUENCE AWAY



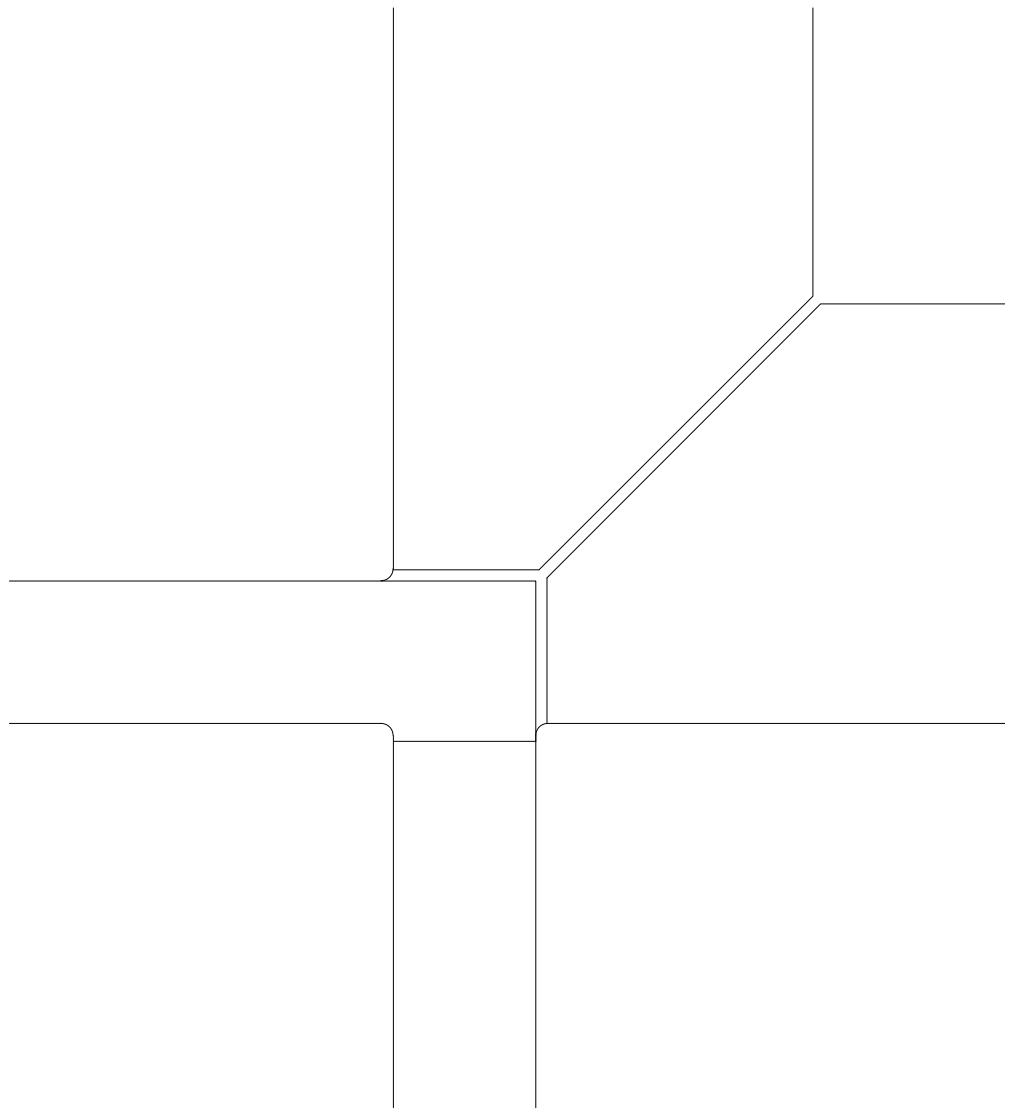
CENTER
FINISH

PLAN DETAIL – CENTER PANEL FINISH
PANEL INSTALLATION SEQUENCE COMPLETE



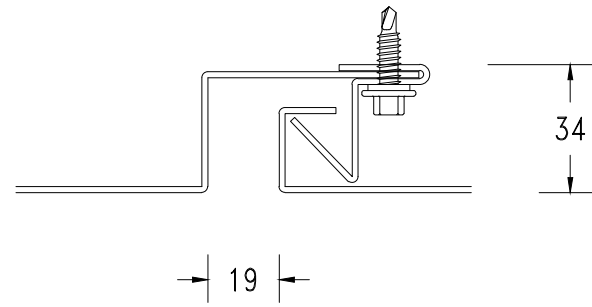
19

Enlarged Partial Elevation
Four (4) Panel Intersection



19

Enlarged Partial Elevation
Three (3) Panel Intersection



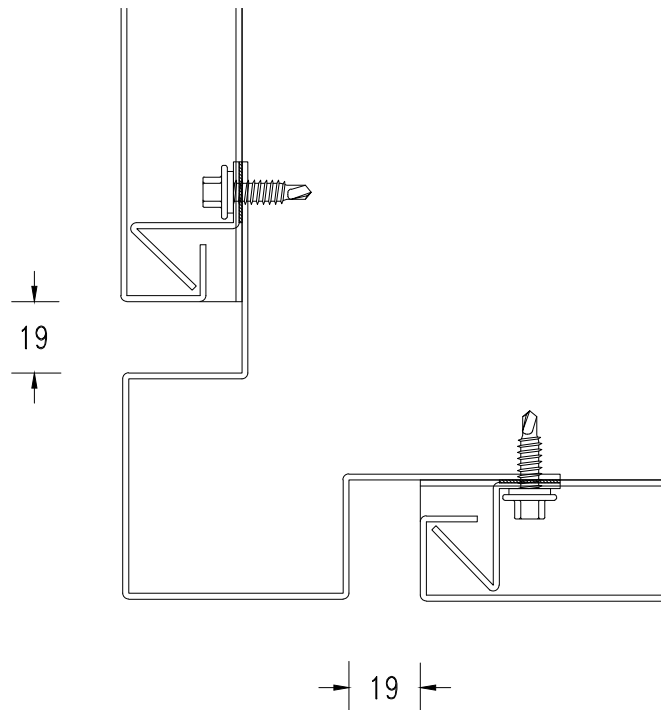
19

34

BASE FLASHING

SILL FLASHING

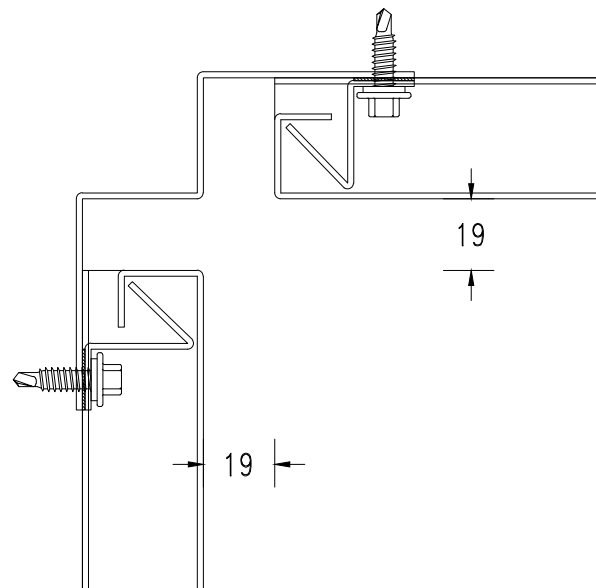
TYPICAL REVEAL



19

19

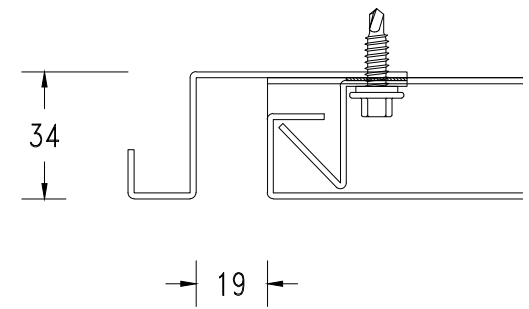
OUTSIDE CORNER OR
SOFFIT PANEL RETURN



19

19

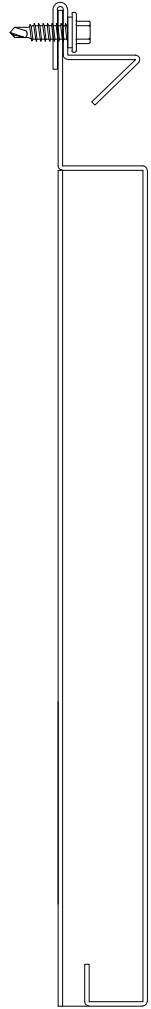
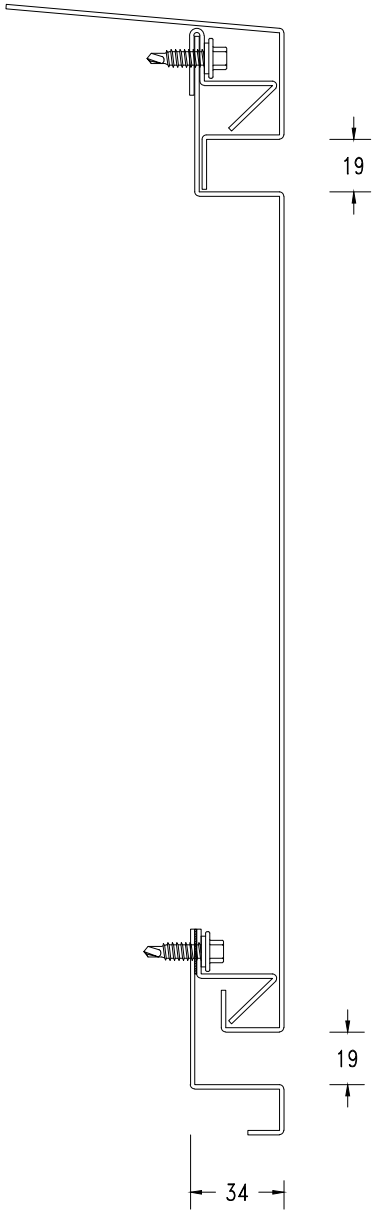
INSIDE CORNER
FLASHING



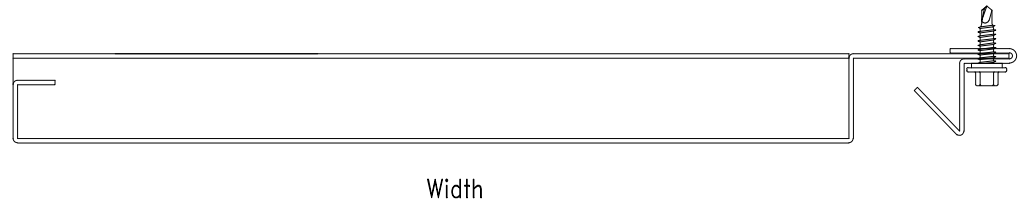
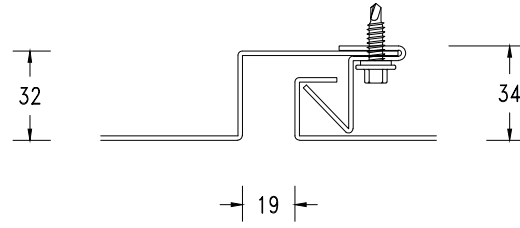
34

19

JAMB FLASHING



Height



Width