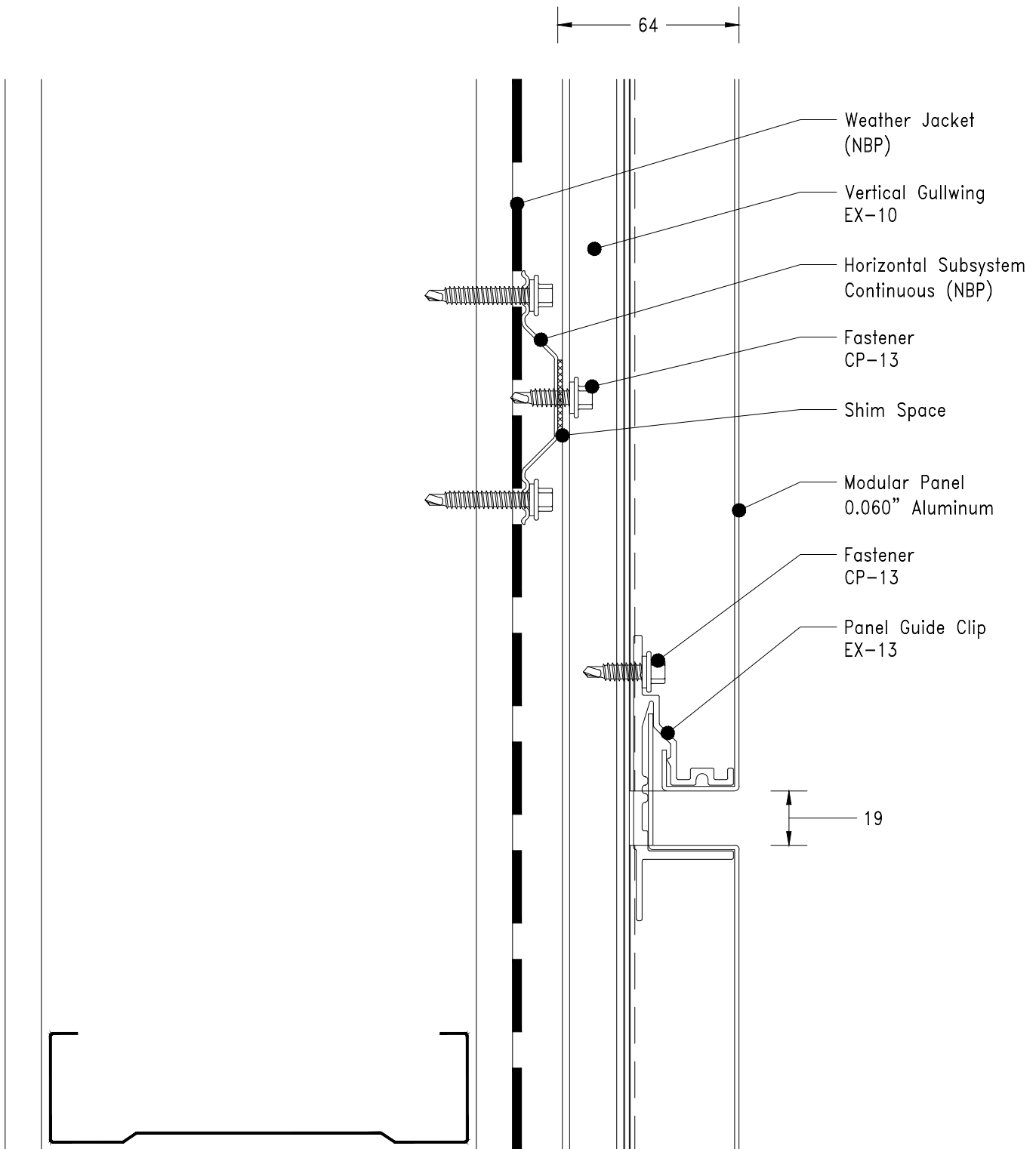


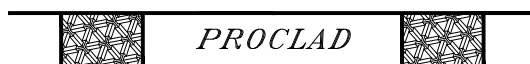
# CONSORT PANEL SYSTEM

## TYPICAL DETAILS

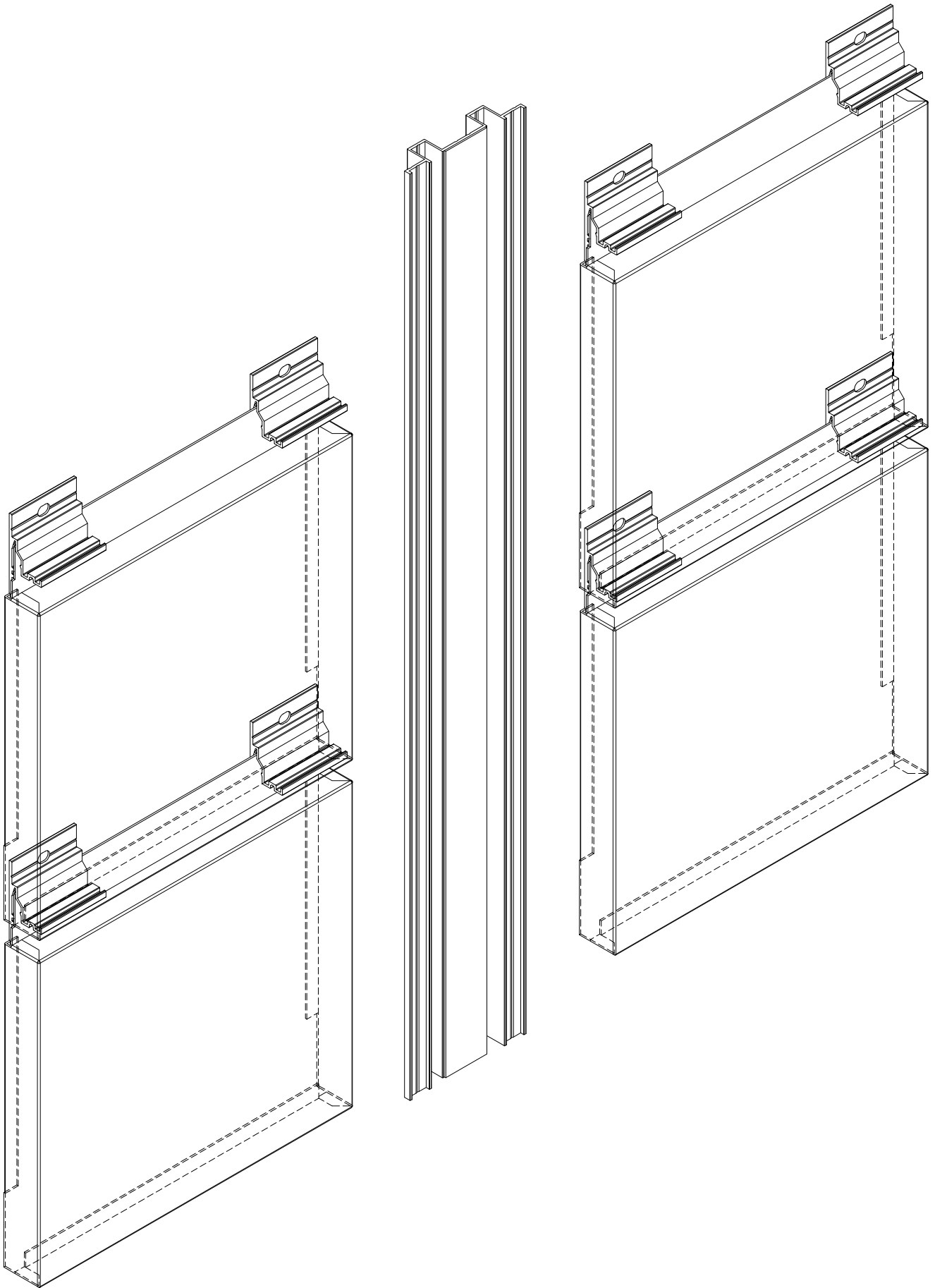
- D1 - Typical Horizontal Panel Reveal - Section/Elevation
- D1.1 - Isometric View - Panel System
- D2 - Typical Vertical Panel Reveal - Section/Plan
- D3 - Base Detail - Section/Elevation
- D3.1 - Isometric View - Base Detail
- D4 - Window Sill - Section/Elevation
- D4.1 - Isometric View - Window Sill
- D5 - Window Head - Section/Elevation
- D6 - Window Jamb - Section/Plan
- D6.1 - Isometric View - Window Jamb
- D7 - Jamb to others - Section/Plan
- D7.1 - Isometric View - Jamb to others



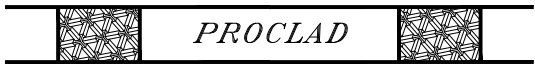
D1



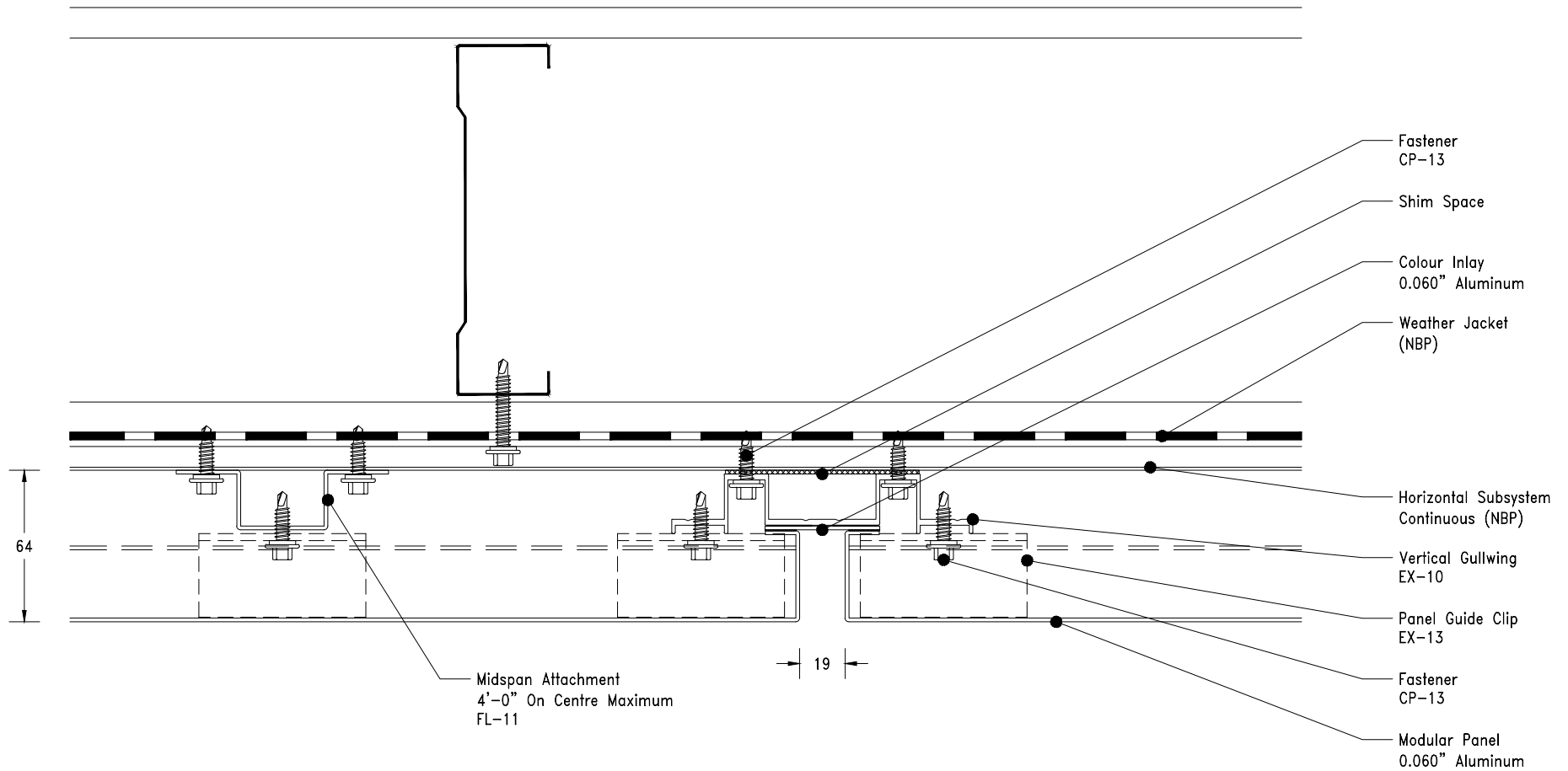
TYPICAL HORIZONTAL PANEL REVEAL  
SECTION / ELEVATION  
SCALE: HALF



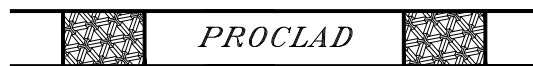
D1.1



TYPICAL PANELS AND  
VERTICAL REVEAL TRACK  
SCALE: 1 = 5

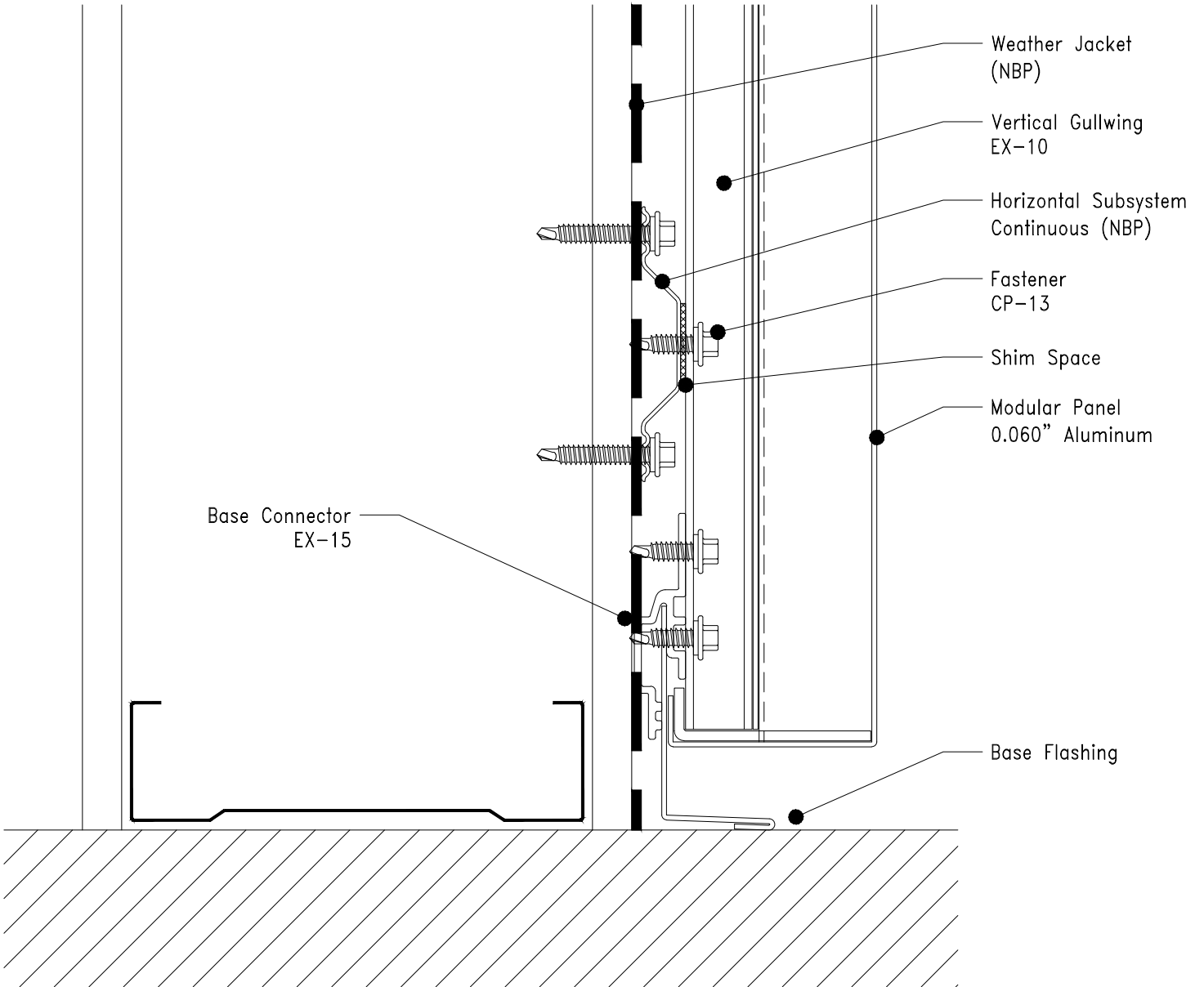


D2



TYPICAL VERTICAL PANEL REVEAL  
SECTION / PLAN  
SCALE: 0.375

64



Base Connector  
EX-15

Weather Jacket  
(NBP)

Vertical Gullwing  
EX-10

Horizontal Subsystem  
Continuous (NBP)

Fastener  
CP-13

Shim Space

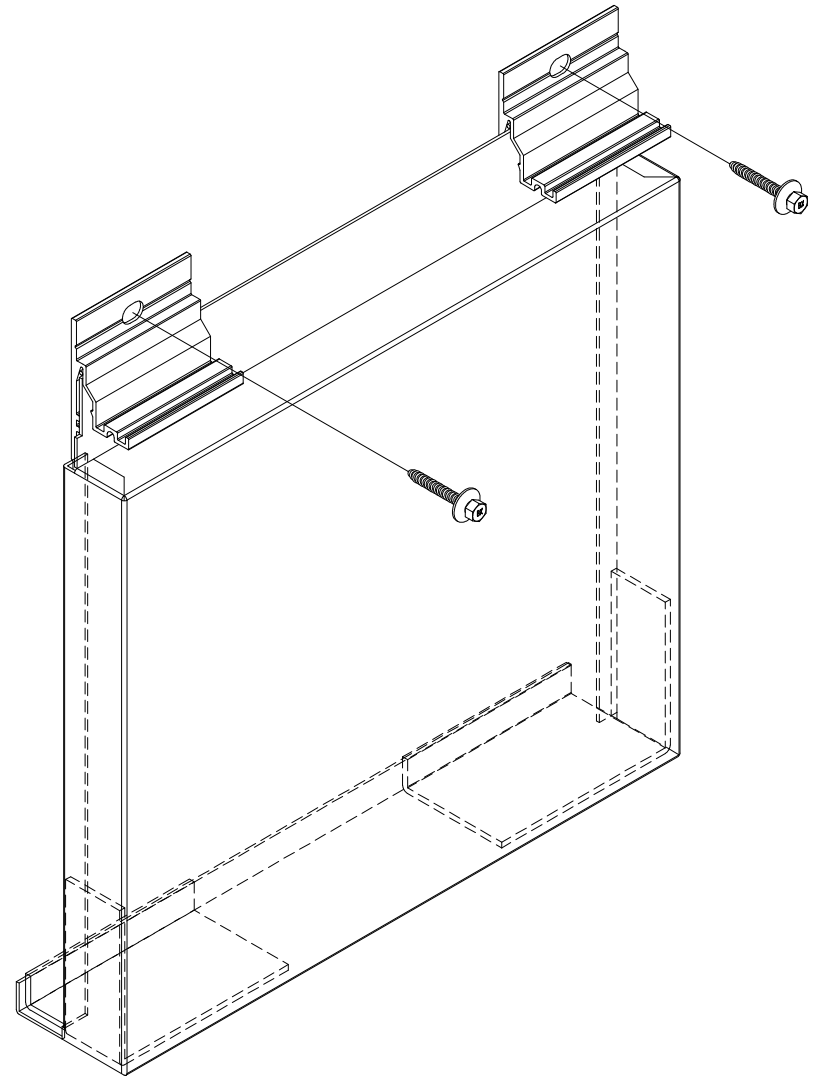
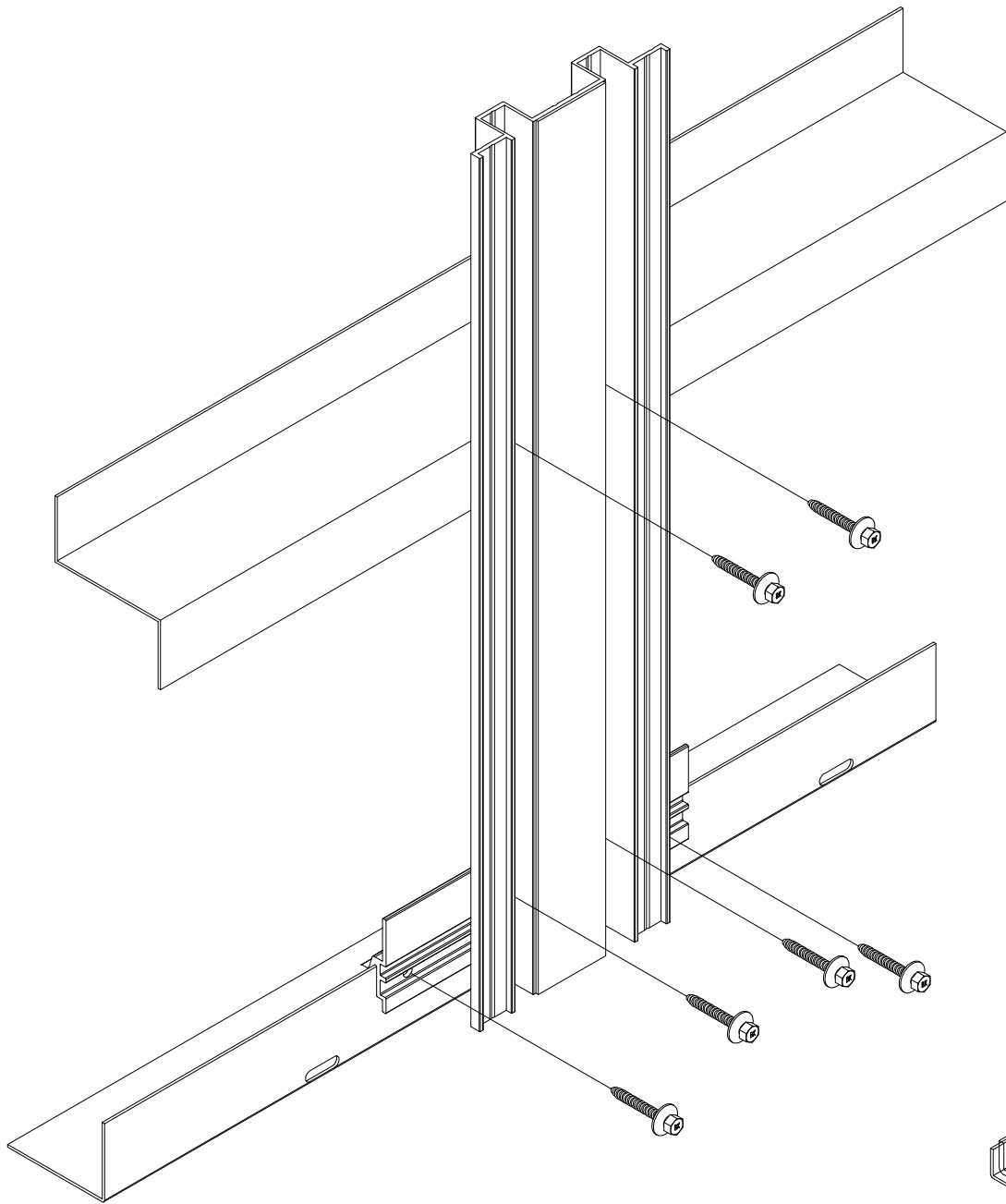
Modular Panel  
0.060" Aluminum

Base Flashing

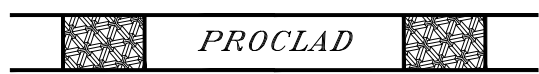
D3



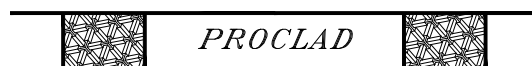
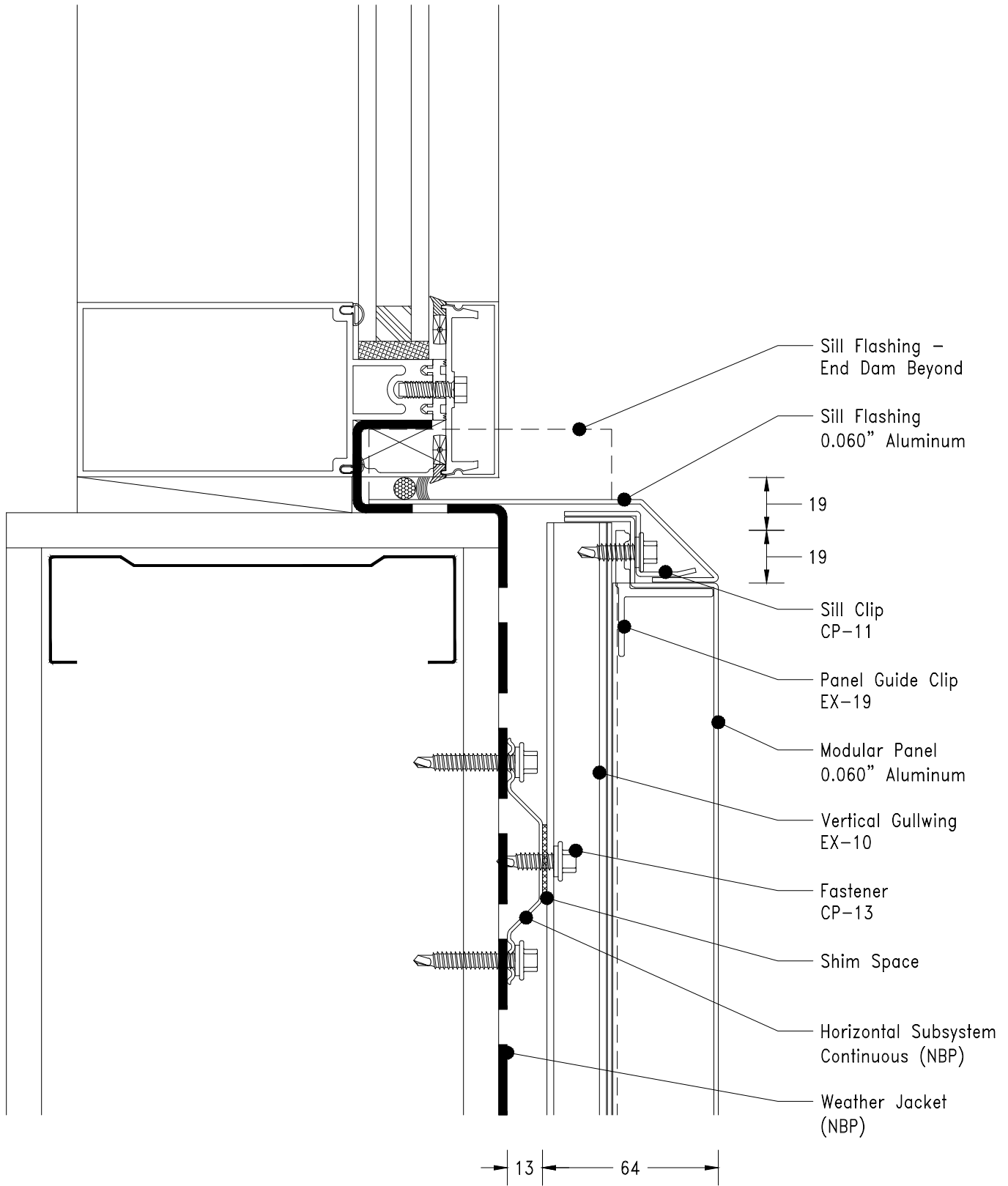
BASE DETAIL  
SECTION/ELEVATION  
SCALE: HALF

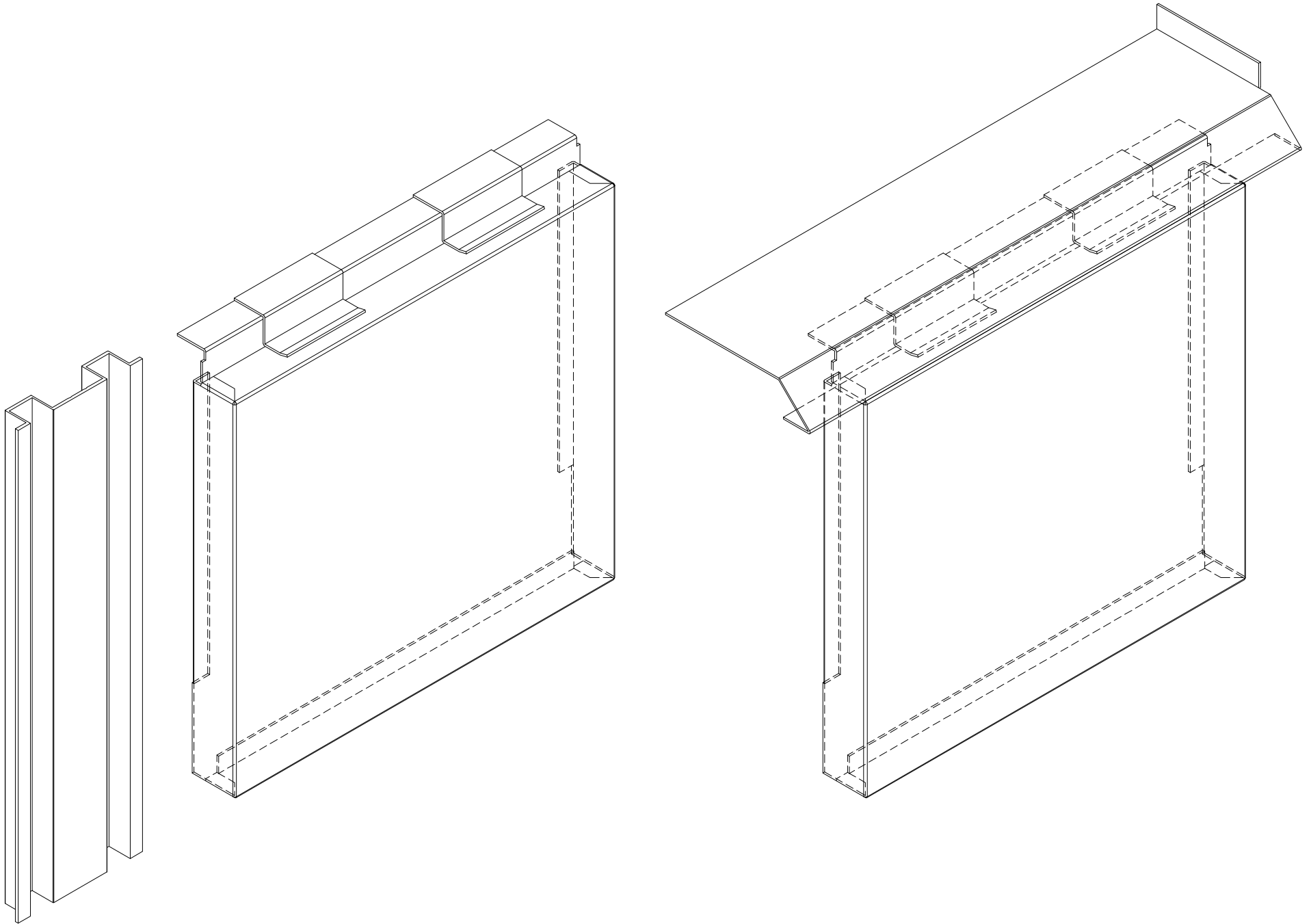


D3.1

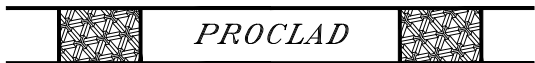


PANEL BASE DETAIL  
ISOMETRIC VIEW  
SCALE: 1 = 4



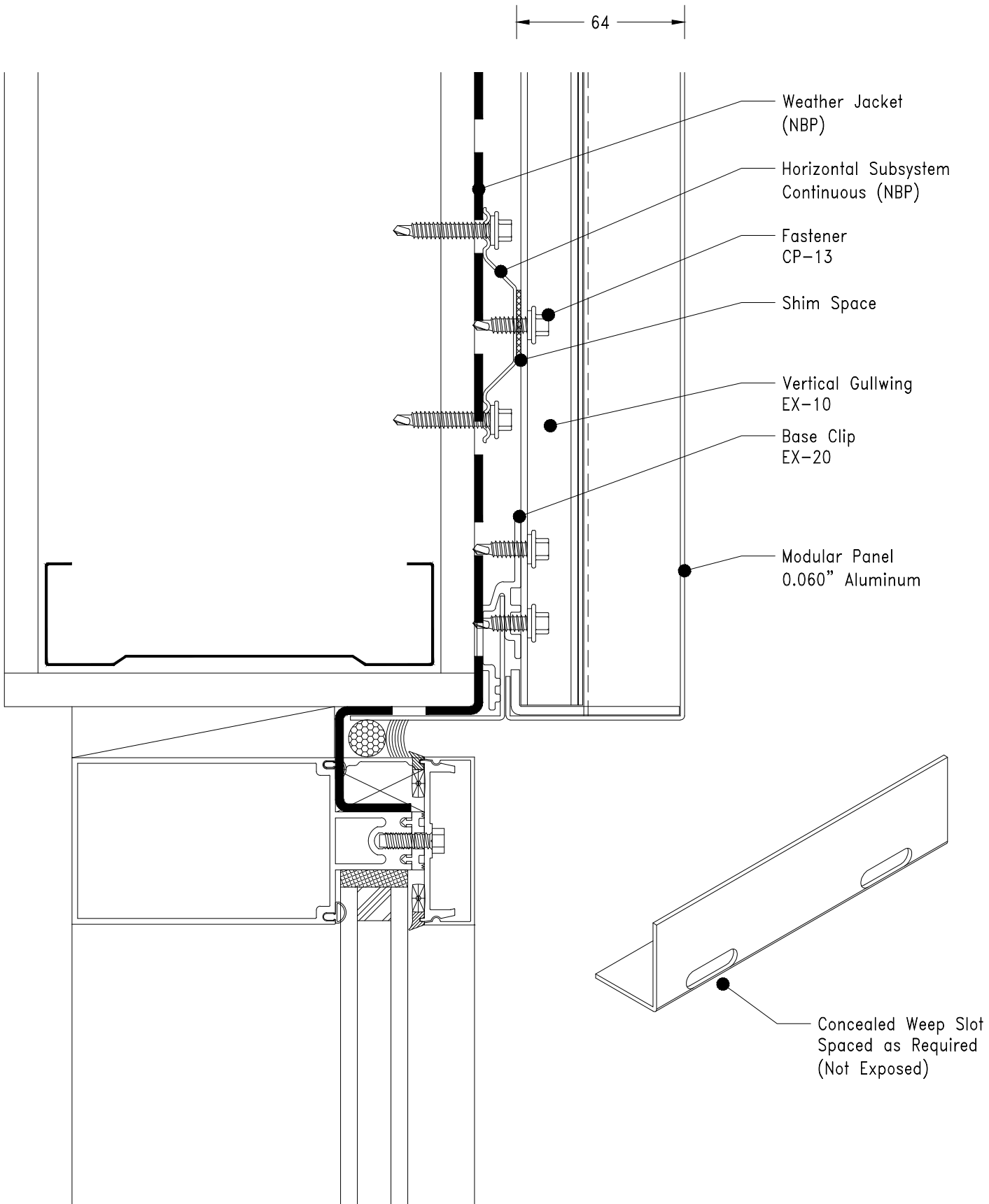


D4.1



WINDOW SILL  
ISOMETRIC VIEW  
SCALE: 1 = 4





64

Weather Jacket  
(NBP)

Horizontal Subsystem  
Continuous (NBP)

Fastener  
CP-13

Shim Space

Vertical Gullwing  
EX-10

Base Clip  
EX-20

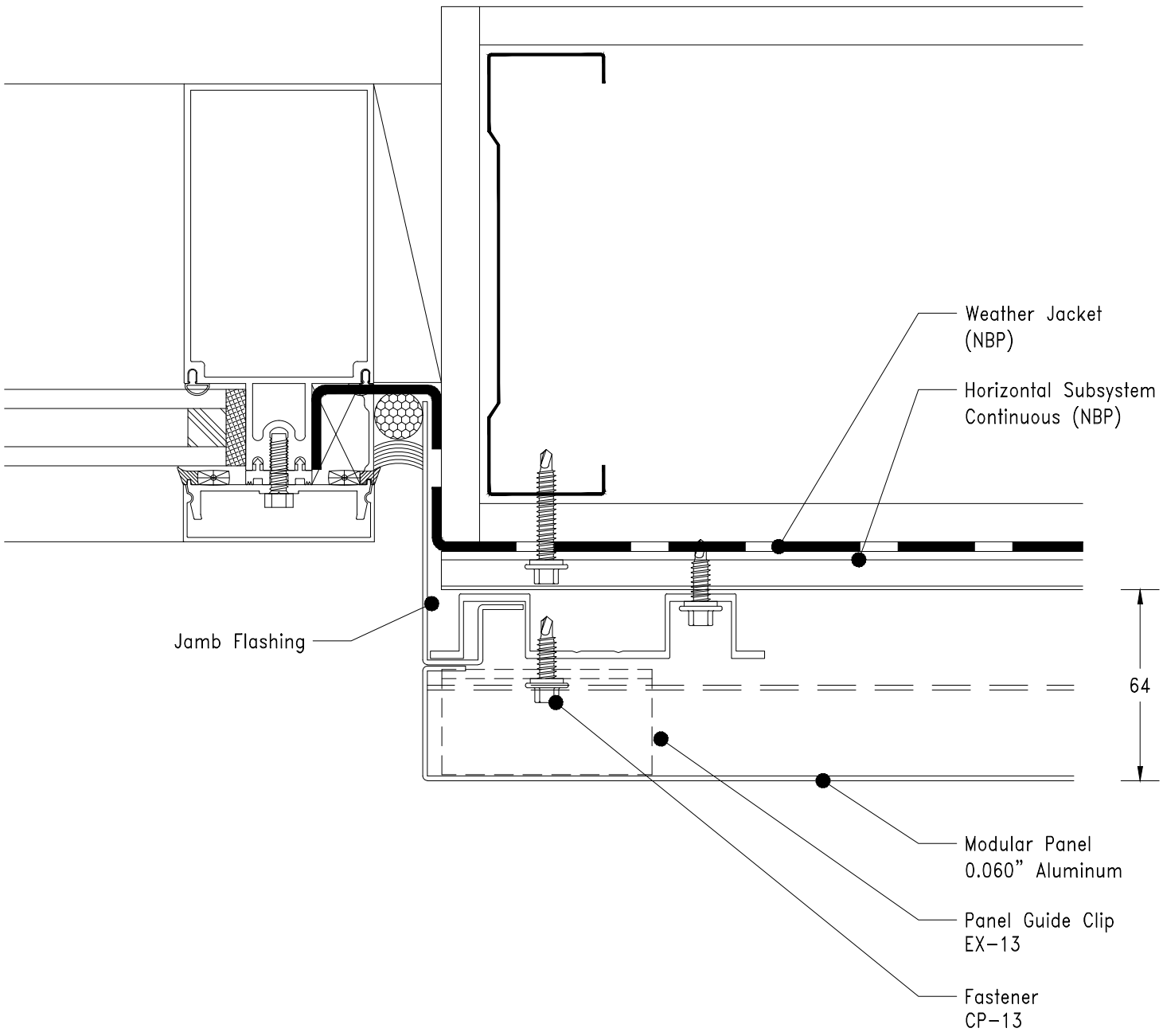
Modular Panel  
0.060" Aluminum

Concealed Weep Slot  
Spaced as Required  
(Not Exposed)

D5

*PROCLAD*

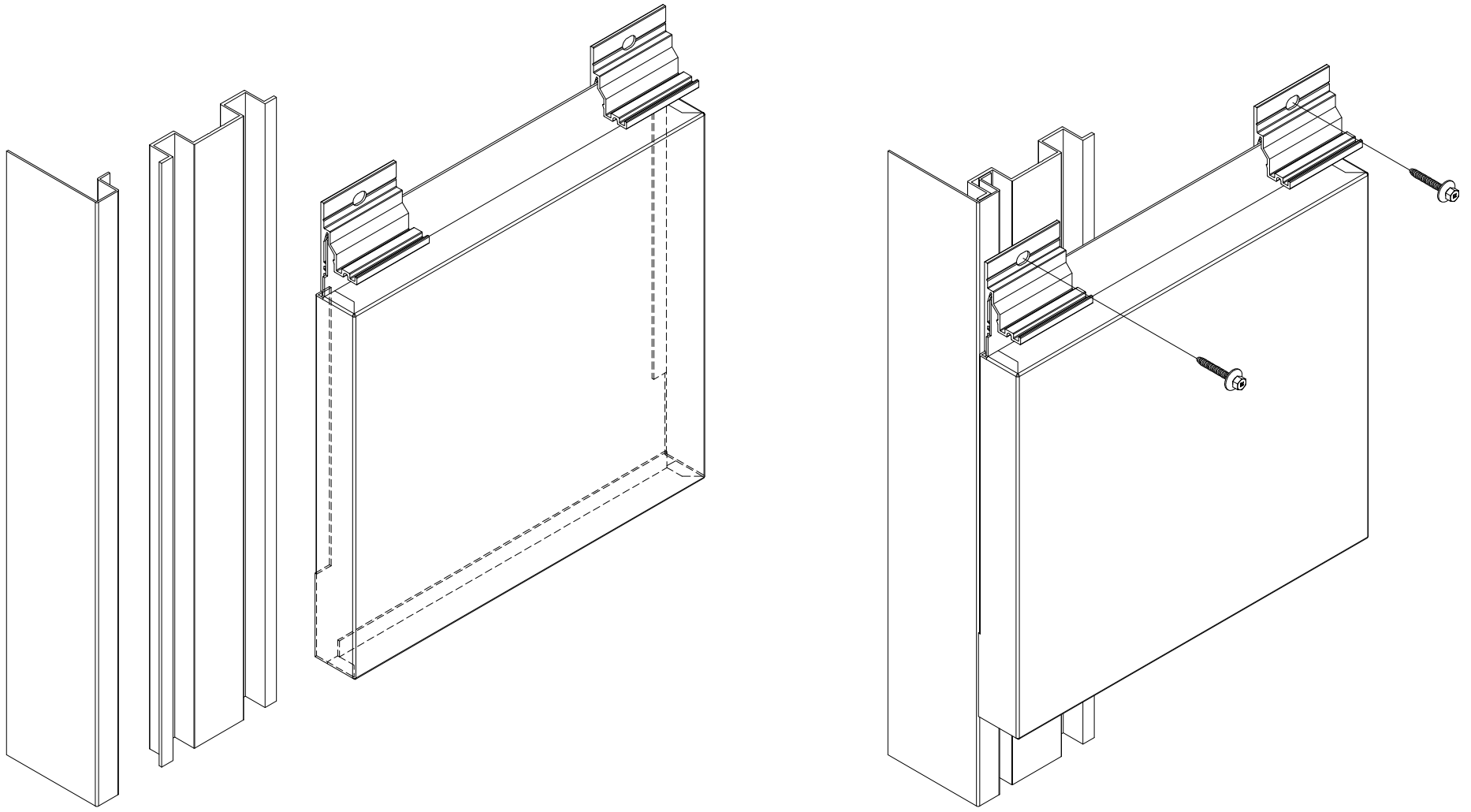
WINDOW HEAD  
SECTION/ELEVATION  
SCALE: HALF



D6



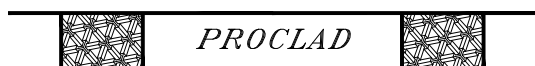
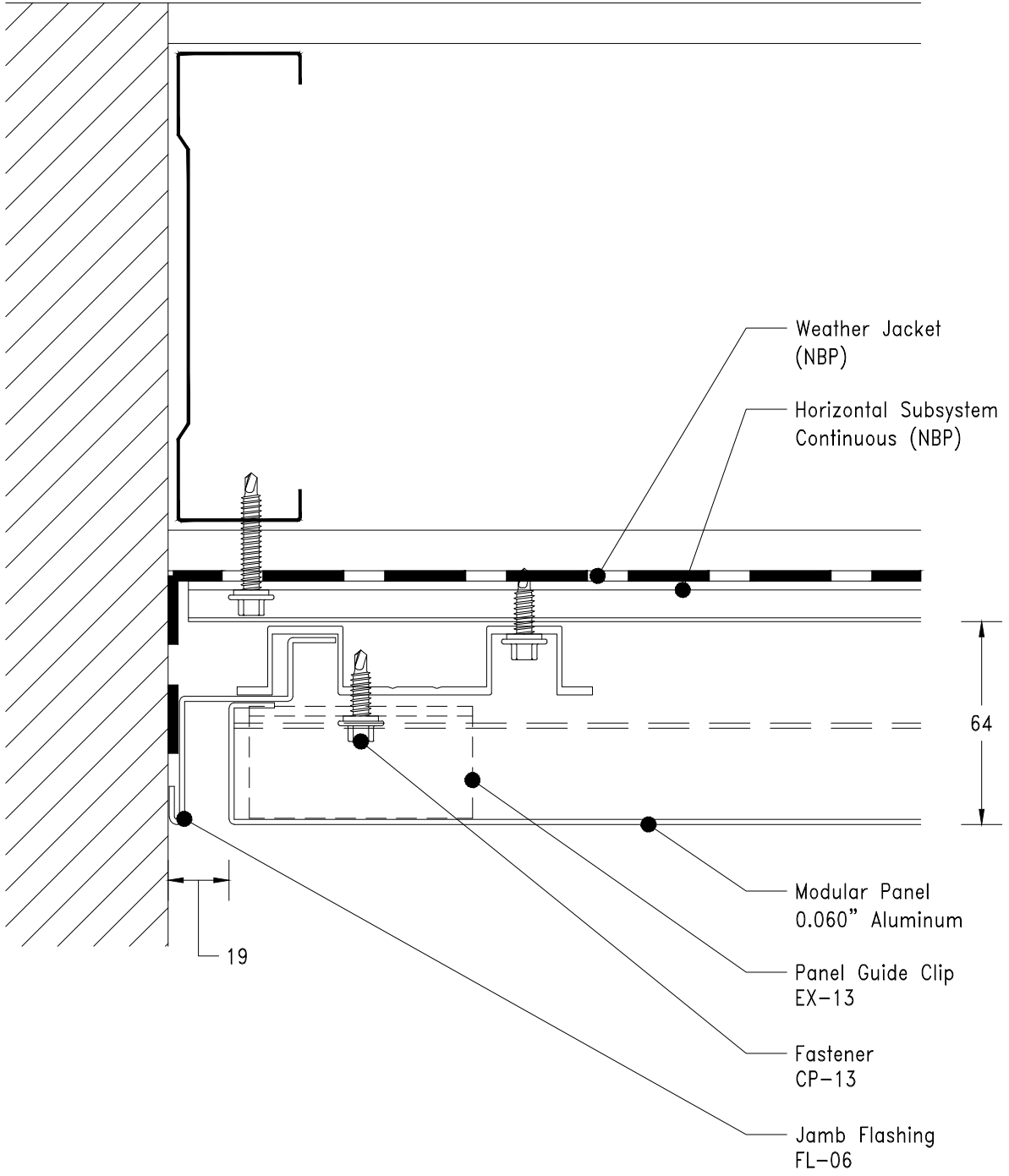
WINDOW JAMB  
 SECTION/PLAN  
 SCALE: HALF

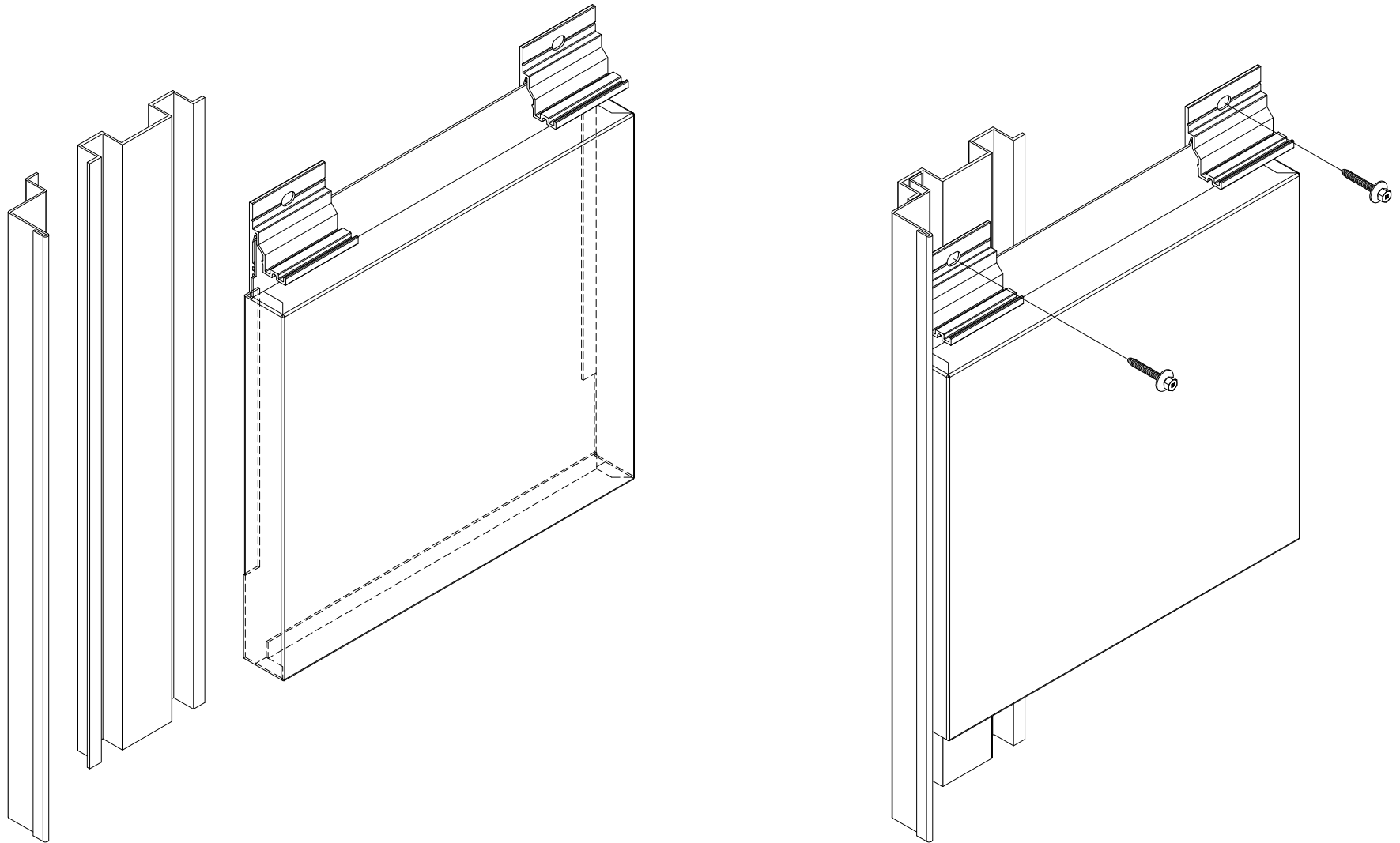


D6.1

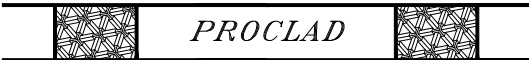


WINDOW JAMB  
ISOMETRIC VIEW  
SCALE: 1 = 5





D7.1



JAMB TO OTHERS  
ISOMETRIC VIEW  
SCALE: 1 = 5